



**INDEPENDENT GAS-FIRED  
CONVECTION HEATERS  
USER MANUAL GUIDE**



**ELITE SERIES**

**-FHS 4000 - FHS 5000**

**-FHS 9000 - FHS 12000**



**INDEX**

<b>Index</b>	<b>1</b>
<b>Distinguished User</b>	<b>2</b>
<b>Superior Features</b>	<b>2</b>
<b>Gas Connection</b>	<b>3</b>
<b>Assembly Instruction</b>	<b>3</b>
<b>Installation Control</b>	<b>8</b>
<b>Setting Of The Heater</b>	<b>9</b>
<b>Operating Instructions</b>	<b>11</b>
<b>Cleaning and Maintenance</b>	<b>14</b>
<b>Tecnical Features</b>	<b>15</b>
<b>Information About The Products</b>	<b>15</b>
<b>Intended Use Of The Appliance</b>	<b>16</b>
<b>Safety Warnings And Points To Be Careful Before Calling The Uthorised Service</b>	<b>17</b>
<b>Declaration Of Conformity</b>	<b>18</b>
<b>DISTINGUISHED USER</b>	<b>2</b>
<b>SUPERIOR FEATURES</b>	<b>2</b>

## DISTINGUISHED USER

We are proud of presenting such an excellent air tight heater that you can use every space of your home, work place or closed area thanks to its economic, modern and elegant lines, practical dimensions and which provides you to profit from natural gas or LPG comforts by safety of Ersel and which also has lower expenses but higher efficiency in comparison with its rivals.

We present you this assembly and user guide to help you to use your heater without any problem for long years.

We recommend you to read this guide before assembly and use. Have a good use...

## SUPERIOR FEATURES

- Your heater is produced to run on natural gas and LPG.
- It fires your fuel by high efficiency and blue flame.
- Heater can be run very easily thanks to its deluxe gas control system.
- Battery igniter has ignition system and pilot flame.
- Unless the pilot flame fires gas never goes to combustion chamber.
- It has the magnet vent safety system which cuts the gas passing automatically in case the flame dies. It provides a complete safety.
- It is determined from tests that the heater is influenced from outdoor atmosphere conditions like wind, storm back fire etc. less than its rivals thanks to its special chimney equipments.
- Chimney equipments set that are given with your heater should assemble to a 300 mm thick wall.
- Your air tight heater doesn't use the oxygen of your room. It takes the oxygen that is needed to fire from outside thanks to its special design and gives the tail gas to outside again thanks to its tight body.
- It can be used safely in all living areas such as bedroom, nursery, sitting room and living room etc.
- It has thermostated safety valve, maximum and minimum combustion setting and it provides controlled heat and prevents waste consumption.
- Its sheet of combustion chamber is thicker (1.0) than its rivals and it is provided to be durable long-lived by covering inside and outside of it with gloss.
- Burner is produced by stainless steel thus it is long-lived and it burns the gas with blue flame.
- This air tight heater is produced in accordance with European standards and EN 613 standards.
- It has the pressure balance, its systems aren't influenced by pressure changes.

## GAS CONNECTION

### 1. For Natural Gas:

- Before doing the natural gas connection please refer to the local natural distribution company and have them prepare and approve the natural gas installation project.
- There has to be a system gate between heat and installation according to the present norms for natural gas.
- The heat is set according to natural gas (METHANE) please don't use any other gas.
- For gas entrance please use metallic pipe or flexible hose which is clamped by clips and appropriate to CE norms.

**NOTE:** All heaters are shipped ready for use with natural gas. When the changed the gas to the LPG please call the authorised service

### 2- For LPG:

- It is preferred to be used 300 mmSS regulator. (2 kg) Never use industrial regulator. PVC hose which is used between gas cylinder and heater shouldn't be longer than 125 cm. Please tighten hose connection ends with metal clips. Never use the gas cylinder horizontally or reversing.
- Please don't use destroyed gas cylinder change by a new one

## ASSEMBLY INSTRUCTION

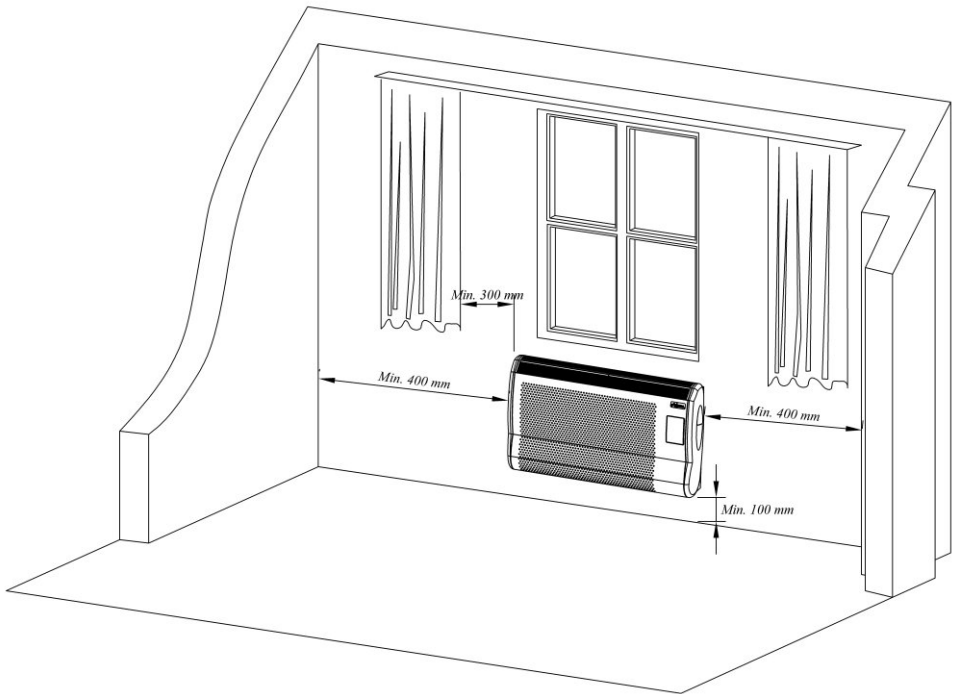
- Expenses that are caused by assembly and installation are belong to user.
- Before installation, ensure that the local distribution conditions (identification of the type of gas and pressure) and the adjustment of the appliance are compatible.
- Natural gas heater should be assembled by authorized people appropriate to assembly instructions and instructions of gas distribution company, municipality and CE.
- For natural gas measure the installatin gas pressure before the assembly. TEST PRESSURE shouldn't be over 50 mbar for the safety of gas valve.
- Natural gas – LPG or LPG - natural gas conversion should be done by authorized sevice or people. Otherwise the heater is accepted out of guarantee. Don't let natural gas conversion to do this work, it is ithout responsibility on our part.
- POINTS THAT YOU HAVE TO BE CAREFUL WHEN YOU CHOSE THE PALCE TO INSTALL YOUR HEATER.
- Your heater should be taken avoid over-heating of the floor, shelf, walls, or else a statement to use non-combustible materials for the floor, shelf or wall close to the appliance.
- Don't install the your heater near the dampy or flowly area.
- This appliances shall be installed in accordance with current regulations and only used in a well-ventilated space. Refer to the instructions before installing and using the appliance.
- Use only Fujiyama specified vents and vent caps when installing your Heater insert All vent pipe sections must be tight and leak proof.

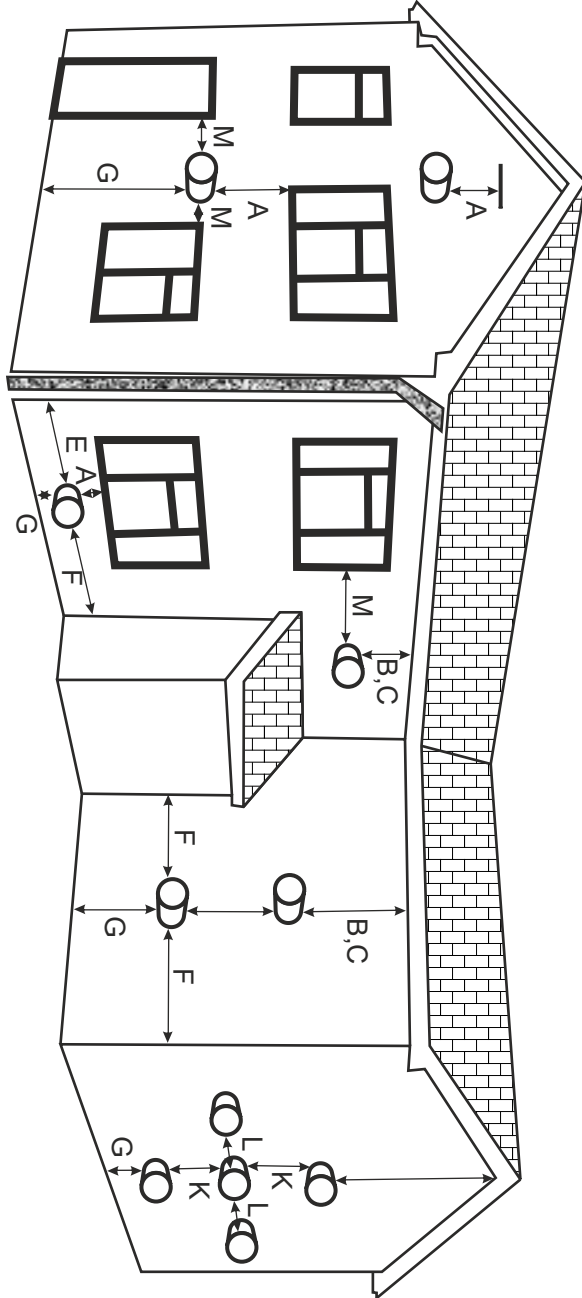
### A- Minimum spaces for outside chimney (display by pictures);

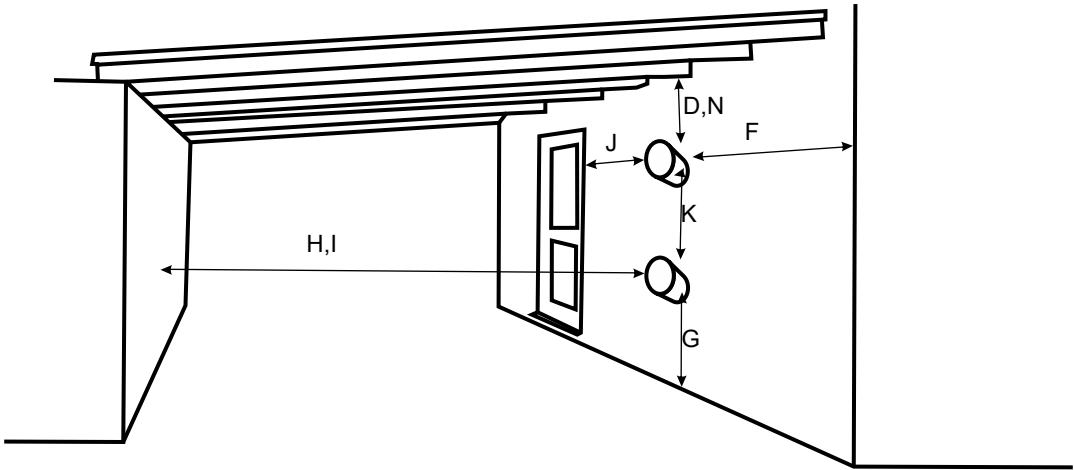
- Space to balcony and garage is minimum 600 mm.
- Space to sliding window is 300 mm.
- Space to zinc, plastic, earthen channels, pipes is 600 mm.
- Horizontal Space to chimney outlet is 600 mm vertical space to chimney outlet is 1500 mm.

### B- Minimum distances for Indoor;

- Space to the left wall distances 400 mm.
- Space to the right wall distances 200 mm.
- Hight of the heater from floor is min. 40 mm.
- Curtain shouldn't be close the heater from front side, Hight between heater and curtain should be min 300 mm.
- If the heater will be installed under the shelf which don't pas 150 mm deep, distances between shelf and heater should be 300 mm.







	POSITION	MINIMUM SPACING	
A	Directly below an openable window, air vent or any other ventilation opening	300 mm	12 in.
B	Below gutter, drain/ soil pipe	75 mm	3 in.
C	Below eaves	200 mm	8 in.
D	Below a balcony	200 mm	8 in.
E	From vertical drain pipes and soil pipes	75 mm	3 in.
F	From internal or external corners	300 mm	12 in.
G	Above adjacent ground or balcony level	300 mm	12 in.
H	From a surface facing the terminal	600 mm	24 in.
I	Facing terminals	1200 mm	48 in.
J	From opening (door, window) in carport into dwelling	1200 mm	48 in.
K	Vertically from a terminal on the same wall	1500 mm	60 in.
L	Horizontally from a terminal on the same wall	300 mm	12 in.
M	Adjacent to opening	300 mm	12 in.
N	Below carport	600 mm	24 in.

### ASSEMBLY OF THE HEATER

- Bring out the heater from package carefully.
- Unscrew the 2 transport screws that are on the top of the galvanized back sheet in figure 1.
- Come out the 2 pieced flaps at the bottom of the back sheet taking up the body. (Screws can't be used after being unscrewed).

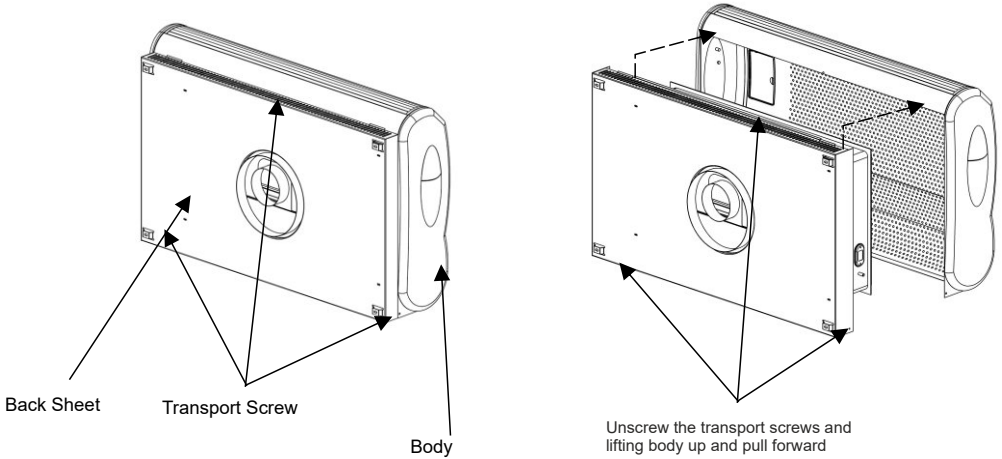


Figure-1

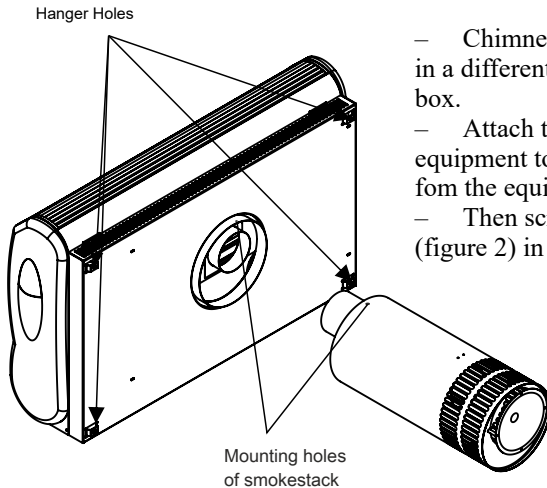
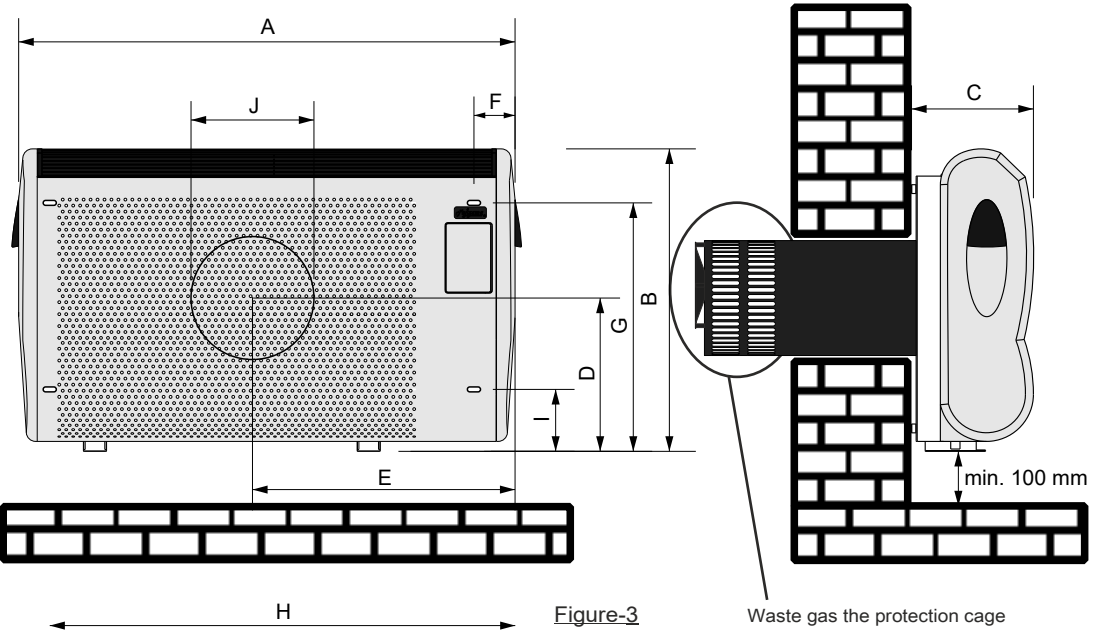


Figure-2

- Chimney equipments and connection elements are put in a different box. Take the chimney equipments from the box.
- Attach the waste gas discharge tube in chimney equipment to gas outlet of the holder without taking out from the equipment.
- Then screw the chimney equipment assembly holes (figure 2) in burning air inlet pipe by fitting each other.



- Bore a chimney eye to the wall that the heater is assembled appropriate to the dimensions in figure 3.
- Put the chimney equipment system assembled into the heater to the hole in the wall.
- Put waste gas safekeeping cage which is shown in figure 2 as its whole body stays outside (waste gas safekeeping cage should completely be outside no matter the thickness of the wall.)



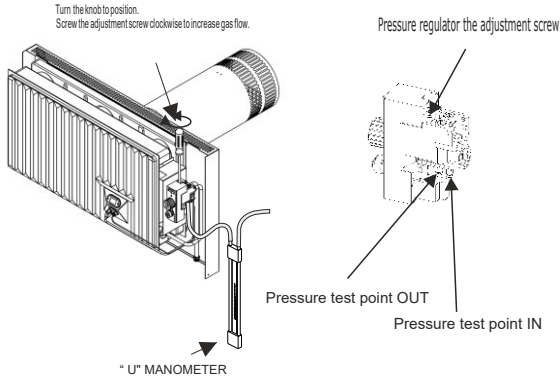
	A	B	C	D	E	F	G	H	I	J
FHS 12000 E	1075	655	260	340	560	75	575	980	45	250
FHS 9000 E	800	655	260	310	455	65	555	735	45	200
FHS 5000 E	800	655	215	380	440	65	555	735	45	200
FHS 4000 E	680	655	215	380	400	65	555	610	45	200

### INSTALLATION CONTROL

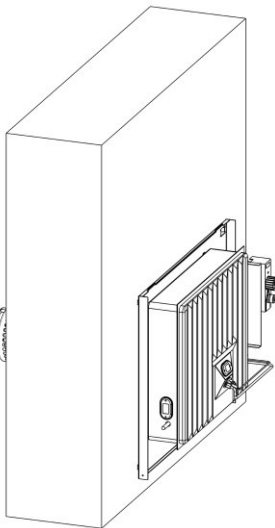
- Prevent all the tight in the installation.
- Check the tightness in gas test by gas leakage checking device or soap bubble.
- Don't check by flame (match, lighter, etc.)

### SETTING OF THE HEATER

Burning settings of the heater is done according to natural gas in factory so don't change the settings. Adjusting of your heater not include other gases which is given in user manual, don't use your heater other gases. The table below is given only in order to help the requirement made by authorised services.



	Gas Type	G30	G31	G20
<b>PRODUCTS</b>	<b>PRESURE</b>	<b>30mbar</b>	<b>37 mbar</b>	<b>20 mbar</b>
FHS 4000	Injectors	1.1 mm	1.1 mm	1.9 mm
	Burner input Pressure	28 mbar	28 mbar	9.5 mbar
FHS 5000	Injectors	1.2 mm	12 mm	2 mm
	Burner input Pressure	29 mbar	29 mbar	10.5 mbar
FHS 9000	Injectors	1.5 mm	1.5 mm	2.3 mm
	Burner input Pressure	19 mbar	24 mbar	15 mbar
FHS 12000	Injectors	1.74 mm	1.74 mm	2.47 mm
	Burner input Pressure	17 mbar	23 mbar	15 mbar

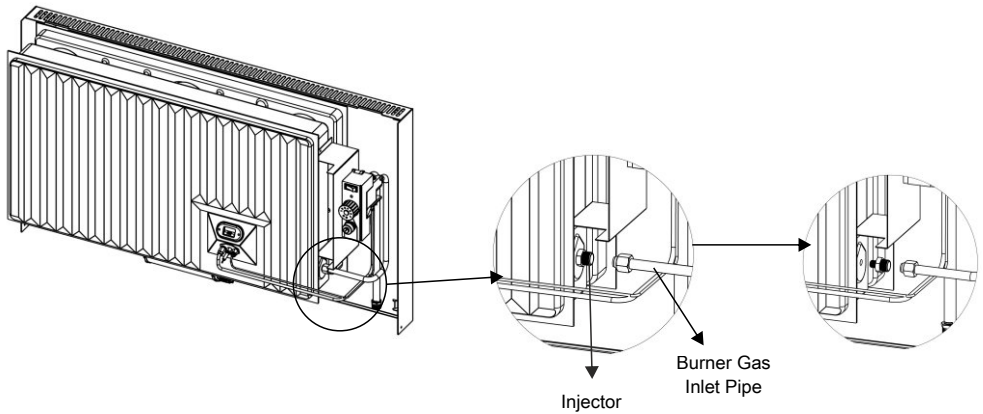


**Figure-4**

- Bore a chimney eye to the wall that the heater is assembled appropriate to the dimensions in figure 4.
- Put the chimney equipment system assembled into the heater to the hole in the wall.
- Put waste gas safekeeping cage which is seen in figure 2 as its whole body stays outside (waste gas safekeeping cage should completely be outside no matter the thickness of the wall.)

### CONVERSION

- For our heater's operation in all gas groups, it is required that an injector with the appropriate diameter for the corresponding gas group is used. Depending on the gas type the heater will work with, the injector is selected from the table and it is attached to heater's burner.
- To change the injector, firstly the body of our heater is removed as shown in Figure-1 First the input pipe, then the injector is removed in order, as seen in the figure. The injector with the appropriate diameter for the gas used in the country is selected and attached to our heater's burner. Then, the burner input pipe is attached to the injector. Following the completion of our heater's assembly, gas line is checked for any leaks using soapy foam or a gas leak detector device.



- The burner must light immediately and the flame must travel promptly and smoothly around curve and light entire burner. The flame must not "lift" off the burner.
- Never change the adjustments.
- Call the authorised service if the gas must be changed.
- Authorised service could be adjusted the burner inlet gas pressure from the back side of heater gas entries by reached to the screw of valve adjustment with flat edge - screw driver.
- If the adjustment of the screw is Gas pressure will be.
- If the adjustment screw is turned clock wise the pressure wil be. - If the adjustment screw is turned clockcross wise the pressure will be.
- Gas pressure must be measured by manomometer or digital pressure meter.
- Put the hose of manomometer to the valve pressure measuring point.

## OPERATING INSTRUCTIONS

### IMPORTANT SUBJECTS

- Assembly, control and LPG-natural gas conversion of the heater should be done by authorized service.
- Your heater adjustment is given data plate.
- Be sure that your heater should be adjusted to the gas type of your usage.
- Never use your heater which is not made assembly of flues system.
- Don't use your heater if the glass front door or panel has been broken, removed or is open.
- Don't leave your children alone during the heater running, or put the barrier in the 1.5 meter area to prevent touching the children to the hot surfaces. We declare that our gas heater working area is 1.5 m<sup>2</sup> area.
- Curtains should not be positioned above the appliance at a distance less than the minimum 600 mm.
- Don't cover any side of the heater with towel, clothes and blanket etc.
- Don't try to light the heater with match. Use the light button.
- If you feel any smell in the room or if you have a headache stop the heater completely and ventilate the room.
- To stop the heater completely turn off the gas gate from system or gas cylinder
- Air in the room where our heater operates should be circulated 2 or 3 times a day to increase the amount of oxygen

### FOR YOUR SAFETY

- Do not use this heater in a space where gasoline or other liquids having flammable vapors are stored or used.

**NOTE:** Read and understand all operating and safety warnings and instructions before using. The operator must retain these instructions for future reference

- These instructions are only valid if the following country code is on the appliance. If this code is not present on the appliance, it is necessary to refer to the technical instructions which will provide the necessary information concerning the modification of the appliance to the conditions of use for the country.

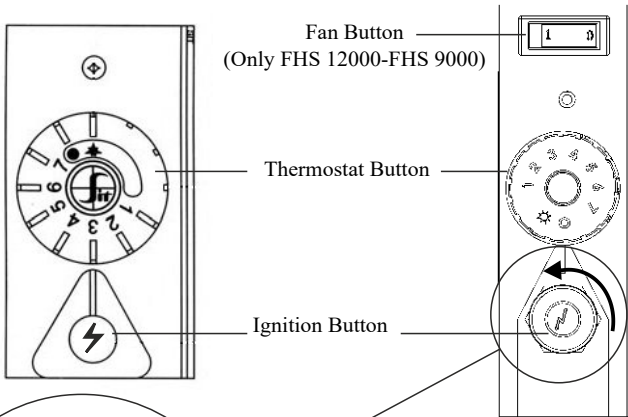
### OPERATING THE HEATER



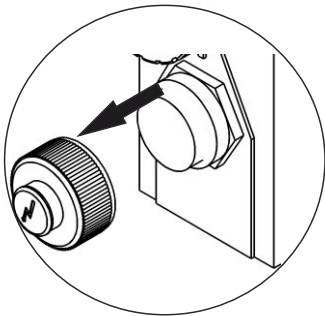
Press the corners to open the lid.



Position of button in thermostat	1	2	3	4	5	6	7	Room temperature °C (approximately)
	13	17	21	25	30	33	38	



For Electronic Ignition (Battery) Model





#### **Knowledge on thermostat button :**

- : Closed
- ★ : Ignition
- 1 : Min. to heat
- 2-6 : Thermostat perceiving point
- 7 : Max. to heat

**Battery change for electronic ignition (battery) model:** Open the cover with the lighter button by turning it counterclockwise. Remove the old battery and replace it with the new one. 1.5 V - AA-use alkaline batteries.

**WARNING: PLEASE FREQUENTLY CHECK IN CASE THE BATTERY LEAKS.**


### LIGHTENING THE PILOT

- Turn on the gas gate from system or gas cylinder.
- Take the thermostat tuning button to firing and pilot position. 
- Push the button down and at the same time push the pointed lighter button (  ) a few times.
- Keep op this opeartion untill the pinpoint catches fire.
- You can see the flame of pilot from the front window of heater.
- After the pinpoint lights hold down the thermostat tuning button for 10-15 seconds, the pilot should go on lighting when you stop holding down the button if it dies down, do the same operation again.

**Note:** It catches the fire late especially in first lightings because of the air inside.

- After the pinpoint catches the fire light the burner by turning the thermostat tuningbutton to clockwise.
- You can make the heater burn in the level you wish by turning the thermostat tuning button to heat level you wish (1-2-3-4-5-6-7) When ambient temperature reaches the level you tune burner will stop authomatically When ambient temperature falls under the level you tune burner will start to burn again authomatically. If the heater stop for any reason turn the thermostat button to “0” position.

**Ps:** After you light the heater and turn off the thermostat button it including pinpoint when you wish to start it, do this after waiting 2-3 minutes. If you wish to light it before it can't burn because the safety system is on. This not a defect it is a feature of system.

- If you don't use the heater for a short time turn the thermostat tuning button to (  ) position thus burner will die down but pinpoint will keep on burning.
- To burn the burner again it is enough to turn the thermostat button to the position you wish (such as 3-4-5).
- When you wish to stop the heater take the thermostat button to “0” position by turning it to counterclockwise. The burner and pinpoint will stop.
- If any flame supervision device actuating flame is extinguished either intentionally or unintentionally, no attempt should be made to relight the gas until at least 3 min have elapsed.

### OPERATION OF FAN (FOR MODELS WITH FAN)

- For operating of the fan take the fan switch "ON" position. When you don't want to run the fan , you can close the fan with fan switch.

**Note:** This is recommended for us.

- But Fan motor energy is 24 watt/h just like dark lamp and It is your advantage by running the fan. Your heater provides homogens heating of the room.

## CLEANING AND MAINTENANCE

### **MAINTANENCE:**

- All maintainance should be done when the heater is extinguished and cold.
- Clean the heater with a soft dry or humid cloth when it is cold.
- Don't use detergent, abrasive cleanser or spreya while cleaning the heater.
- Dust in inside chamber should be cleaned, full maintainance and cleaning of the heater should be done by authorised service bi yearly (one in two years).
- Burning of the dust can cause a bad smell.
- If the window breaks, make it change

### **Weekly Maintenance:**

- Check the visually your heater flue system if there is any quantity of material contained therein, position of flue, assambly and corrosion of the flue material.
- Make the cleaning tpo your heater with dry cloth.

### **Yearly Maintenance:**

- It is recommended to control following points firstly in every warming season:
  - Cleaning of burner and pinpoint
  - Cleaning of gas ways, chimney and pipe
  - General cleaning of the heater
- All repairs and yearly maintainance should be done by licensed people or services.

## TECHNICAL FEATURES

Model	FHS 4000			FHS 5000			FHS 9000			FHS 12000			
No. limit													
Type	C11			C11			C11			C11			
Category	II2H3B/P-II2H3P			II2H3B/P-II2H3P			II2H3B/P-II2H3P			II2H3B/P-II2H3P			
Gas		Consumption	Injectors	Setting Pressure	Consumption	Injectors	Setting Pressure	Consumption	Injectors	Setting Pressure	Consumption	Injectors	Setting Pressure
	G30(30) LPG	..... Kg/h	1,1 mm	29 mbar	..... Kg/h	1,2 mm	28 mbar	0,6 Kg/h	1,50 mm	19 mbar	0,70 Kg/h	1,74 mm	17 mbar
	G30(37) LPG	..... Kg/h	1,1 mm	29 mbar	..... Kg/h	1,2 mm	28 mbar	0,552 Kg/h	1,50 mm	24 mbar	0,70 Kg/h	1,74 mm	23 mbar
	G20(20) NG	0.46 m <sup>3</sup> /h	1,90 mm	9,5 mbar	0.53 m <sup>3</sup> /h	2,0 mm	10,5 mbar	0,73 m <sup>3</sup> /h	2,30 mm	15 mbar	1,05 m <sup>3</sup> /h	2,8 mm	15 mbar
Heat input Q	4 kW			5 kW			7,5 kW			10,5 kW			
Diameter of non burning gas	85 mm			110 mm			110 mm			120 mm			
Air input pipe dimentions	205 mm			205 mm			205 mm			250 mm			
Weigth	16.50 kg			20 kg			24,9 kg			32,7 kg			
Heighth	710 mm			710 mm			710 mm			710 mm			
Length	755 mm			885 mm			885 mm			1140 mm			
Width	295 mm			295 mm			335 mm			335 mm			
Voltage (V ac)	-			-			220 V			220 V			
Power (W)	-			-			24 w			24 w			
Frequency (Hz)	-			-			50 Hz			50 Hz			
Minimum wall tickness	200 mm			200 mm			200 mm			200 mm			
Maximum wall tickness	300 mm			300 mm			300 mm			300 mm			

## INFORMATION ABOUT THE PRODUCTS

<b>Approvals</b>	EN 613 :2001
<b>Metal Parts</b>	Metal body : 0.8 mm grey powder painted sheet metal Back cover metal : 1 mm galvanize plated sheet metal Housing of heater : 0.8 mm black enamel plated sheet metal Valve assmly metal : 0.7 mm galvanize plated sheet metal Pilot and thermic assmly sheet matel 1 mm Main gas entries pipe is galvenize plated 16 mm pipe Food metal : 1 mm galvanize plated sheet metal Burner : 0.4 mm steel Outer Flue : 0.5 mm galvanize plated sheet metal, dia. 205 mm,length 600 mm Inner Flue : 0.6 mm galvanize plated sheet metal, dia. 117 mm, length 555 mm Injektors : material is brass CuZnSn Naturel gas inlet : Brass material CuZnSn LPG gas inlet : Alummyum material
<b>Seramic/Glass parts</b>	Glass : Ceramic glass 4 mm
<b>Plastic Parts</b>	Thermostat knob: PP black color Power cord straigth plastic : PP black color
<b>Pipe</b>	Burner aluminium pipe Pilot aluminium pipe
<b>Component</b>	Gas valve : SIT GROUP 630 Eurosit max gas inlet 50 mbar , outlet pressure 0-18 mbar working temperature 0-80 C
<b>Label</b>	Name plate marking on the aluminium plate Thermostat Knob $\bar{g}$ —1 2 3 4 5 6 7 ...
<b>Carton and straphor</b>	Carton : corrugated cardboardfor costumer Dimention FHS 5000 : 295x885x710 mm Dimention FHS 4000 : 295x755x710 mm
<b>Instruction manuel</b>	FUJIYAMA user manuel with English and Turkish



### INTENDED USE OF THE APPLIANCE



#### Gas valve

Unenviable fuel is prevent by holding the request room temperature with scale thermostat.



#### BURNER



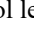
Standing of high temperatures and heating stretch ,stainless steel material. Soundless, affiance and clear burning with oxygen and gas mixtures. Long life usage with special design



#### Pilot Flame-Thermo element Magnet Valve Safety System

When the pilot flame is deflate, it is provided absolute and certain safety by cutting down gas automaticly

**SAFETY WARNINGS AND POINTS TO BE CAREFUL  
BEFORE CALLING THE AUTHORISED SERVICE**

<b>1- IF THE PILOT DOESN'T CATCH FIRE</b>	Regulator of gas cylinder or natural gas gate can be off	Turn on the regulator or the gate
	Gas can be finished	Change the gas cylinder to a new one (check the tightness of gas by soap bubble after the change if there is gas leakage solve it and check again)
	Natural gas can be cut off	Call the gas distribution company
	Gas control button can be in off position	Turn the button to lighter position, look weather the pilot catches the fire or not from pilot flame watching hole. If it doesn't catch fire do the same operation again turning the button off poosition again
	The electronic lighter may be igniting the pilot.	The electronic igniter's battery might have run out. Please check. See page 14 for battery replacement.
	Piezo lighter may not set the pilot on fire	It may not catch the fire immediately especially in first lighting of the heater after changing gas cylinder because of the air inside the gas ways. In that case make it wait at  symbol level until gas comes from pilot, however if piezo lighter still doesn't set the pilot on fire there is a problem in lighter. Call the service
<b>2- IF THE PILOT DIES DOWN</b>	Gas control button may not be stayed in  position for enough time	Make the gas control button stay on  symbol level for 5-10 seconds.
If the pilot dies down with its burner while the heater is running	Regulator pressure of LPG can be high	In the case of LPG usage pressure of gas cylinder regulator should be 300 mmSS (30mbar). If it is different change it.
	Natural gas system pressure can be high	In the case of natural gas usage pressure of gas that comes to the heater should be 200 mmSS (20mbar).
	Waste gas pipe can be blocked in any reason	Please check the waste gas pipe.

## UYGUNLUK BEYANI

DECLARATION OF CONFORMITY  
(Gas Appliances Directive EU 2016/426)  
UYGUNLUK DEKLARASYONU  
(Gaz Yakan Cihazlar Yönetmeliği EU 2016/426)

Our Company declare that its responsibility that the item of equipment specified below has been designed, manufactured, inspected and tested as required by the relevant provisions of the Gas Appliances Directive EU 2016/426.

Aşağıda özellikleri verilen ekipmanın, Gaz Yakan Cihazlar Yönetmeliği EU 2016/426' ye göre tasarlandığını, imal edildiğini, denetlendiğini ve uygun testlerden geçirildiğini ve tamamen sorumluluğumuz altında olduğunu beyan ederiz.

### PRODUCT DETAILS (ÜRÜN BİLGİLERİ)

Manufacturer (Üretici) : ERSEL ISITMA ENERJİ SİSTEMLERİ VE EKİP. EV VE BÜRO GER. TİC. SAN. LTD. ŞTİ

Address (Adres) : ORGANİZE SAN. BÖL. 20.CD NO: 66 KAYSERİ/TÜRKİYE

Product (ÜrünCinsi) : CONVECTIONAL STOVES (KONVEKSİYON SOBALARI)

Brand Name (Marka Adı):FUJİYAMA

Type(model) : FHS 12000, FHS 9000, FHS 5000, FHS 4000, FBS 14000, FHS 11000

Applied Standards (Uygulanan Standartlar) : EU 2016/426.

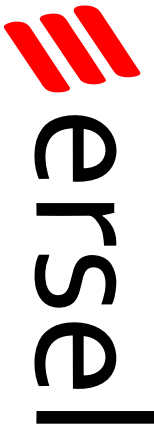
SIGNED ON BEHALF OF THE MANUFACTURER (İmalatçı adına);

ÖMER FARUK YÜKSELEN  
General Manager

  
ERSEL  
ISITMA ENERJİ SİSTEMLERİ VE EKİPMANLARI  
EV VE BÜRO GERÇEKLEŞTİRME SAN. TİC. LTD. ŞTİ.  
Organize San. Böl. 20. Cd. No: 66 KAYSERİ/TÜRKİYE  
Tel: 322 12 12 12 Faks: 322 12 12 12 D. 368 004 9606

# Fujiyama®

ÜRETİCİ VE İTHALATÇI FİRMA:

 **ersel**

ISITMA ENERJİ SİSTEMLERİ VE EKİPMANLARI  
EV VE BÜRO GEREÇLERİ SAN. VE TİC. LTD. ŞTİ.

Organize Sanayi Bölgesi 20. Caddesi No: 66  
KAYSERİ / TÜRKİYE

Tel: 0 352 322 12 00  
Fax: 0 352 322 12 03  
Web: <http://www.fujiyama.com.tr> E-  
mail: [fujiyama@fujiyama.com.tr](mailto:fujiyama@fujiyama.com.tr)

GENEL DAĞITIM:

 **EVPA**

SEVPA SOBA VE EV GEREÇLERİ PAZARLAMA  
SAN. VE TİC. LTD. ŞTİ.

Eski Üsküdar Yolu Barış sok. No:5/2 İçerenköy  
İSTANBUL / TÜRKİYE

Tel: 0 216 573 36 31  
Fax: 0 216 572 72 19